

# Intermittent Bagmaker E400




One of our most economical baggers, the E400 makes packaging big bags a breeze and is perfect for large bags of snacks, coffee, pet food, chemicals/minerals, hardware and more!

max. speed **50** bpm

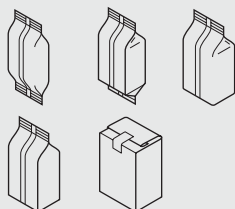


bag size

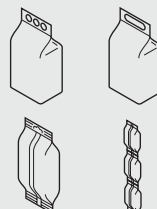
max. 400 × 600 mm (15.75" × 23.62")  
min. 80 × 80 mm (3.15" × 3.15")



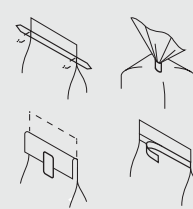

Bag Types



Bag Options



Recloseable Solutions



# Intermittent Bagmaker E400 In Detail

Viking Masek's new economical solution in large VFFS machines, the E400 features innovative technology, flexibility, reliability at economical costs. With bag dimensions of up to 400 mm wide by 600 mm long, the E400 is a flexible, functional and economical solution for all types of packaging needs. Accurate, user friendly operation is a constant feature in all of our machines.

## Max. speed

50 bpm

## Weight

750 kg (1,655 lbs)

## Bag width

80–400 mm  
(3.15"–15.75")

## Air pressure

6 bar  
(20–25 CFM at 90 PSI)

## Bag length

80–600 mm  
(3.15"–23.62")

## Power supply

1.2 kVA

### features



- Robust, stainless steel, open-design frame
- Siemens control system
- Off-the-shelf components
- Minimal maintenance requirements
- Short film path
- Small machine footprint
- No tool change-over
- Automatic film tracking
- VFD powered film unwind
- Quick film splice table
- Photo eye and encoder
- Jaw obstruction detection
- Runs most film structures
- Storage for 100 product recipes

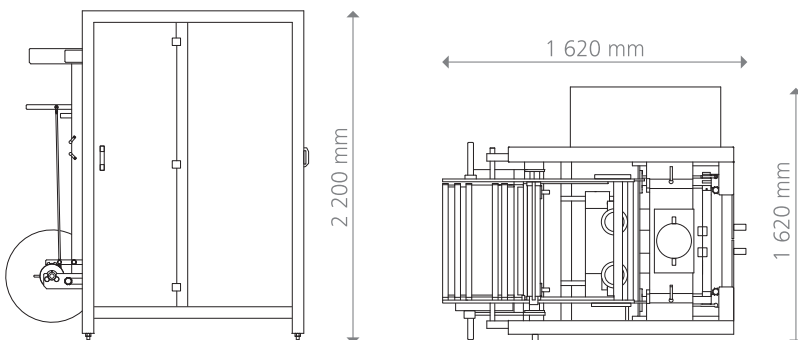
### options



- Flat bottom bag assembly
- Gusset assembly
- Vacuum pull belts
- PE (poly) sealing jaws
- Gas flush
- Static eliminator
- Load shelf
- Tear notch
- Hole punch (Euroslot or Round)
- Product stagers
- End-seal cooling air
- Bag deflators
- Remote diagnostics
- In-feed and take-away conveyors
- Integration with variety of fillers, printers, metal detectors, label applicators, and checkweighers



### Machine drawings



## V.M.S TECHNICAL & TRADE CO., LTD

Address: 3D4, Quarter 1, Thanh Xuan Ward, District 12, Ho Chi Minh City  
 Tel: (+84) 28 37166003 ; Fax: (+84) 28 37166012  
 Website: [www.vmsco.vn](http://www.vmsco.vn) ; Email: [marketing@vmsco.vn](mailto:marketing@vmsco.vn)

Rep Office: TT3 - 38 - 39 Dau Gia Town, Tu Hiep Commune, Thanh Tri District, Ha Noi  
 Tel: (+84) 24 35666691 ; Fax: (+84) 24 35666697  
 HelpDesk: 0909 238 806 ; Hotline: 1900 54 54 72

